

SAFETY ELEMENT TORQUE LIMITERS FOR THE WATER & WASTE WATER TREATMENT INDUSTRY

FEATURES & ADVANTAGES

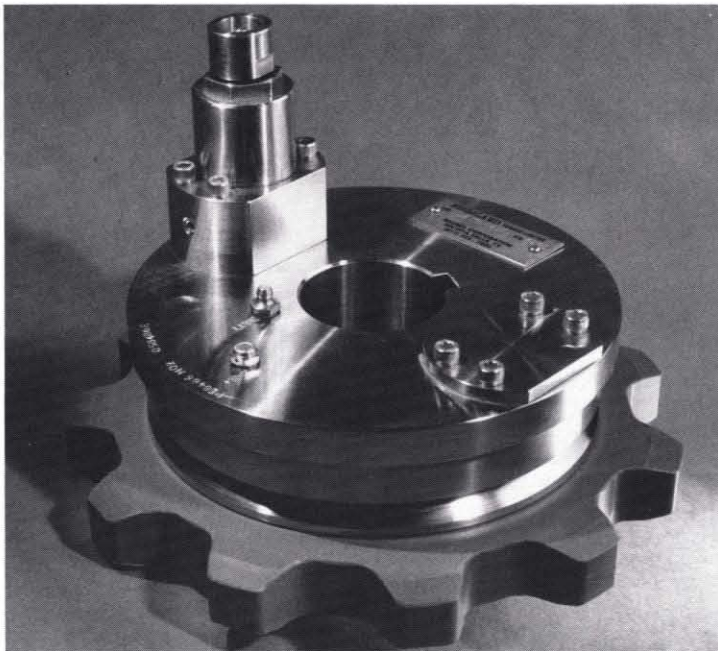
- **Modular Ball Detent / Disc Spring Design**
- **All Major Components 316 Stainless Steel**
- **Three Safety Element Styles Available**
 - 1) **Externally Adjustable**
 - 2) **Disconnectable (Tamperproof)**
 - 3) **Standard (Tamperproof)**
- **All Wearing Surfaces D-2 Tool Steel thru Hardened to Rc 62 min.**
- **Complete Disengagement on Overload**
- **Simple Manual Reset**
- **Multiple "O" Ring Seals**
- **Adapts to All Drive Configurations**
- **Large Torque & Bore Capacity**



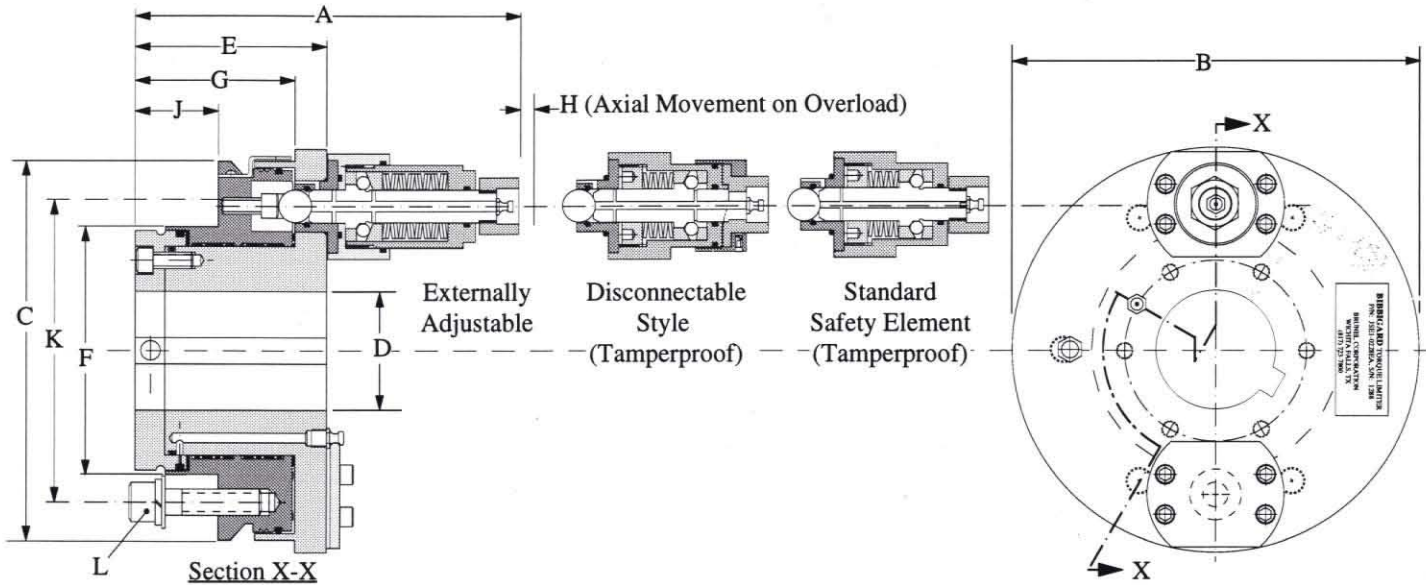
Brunel "Bibbigard" Safety Element Torque Limiters have been protecting industrial power transmission systems around the world since 1971.

The Waste Water Safety Element "SE" Series Torque Limiters are designed specifically for the outdoor, corrosive "waste water" environment. They are made of 316 stainless steel throughout with the exception of; D-2 (Rc 62) tool steel "working parts" in the safety elements, "O" ring seals and PTFE bearings. The internal parts are packed with grease and are externally regreaseable. Eight "O" ring seals prevent contaminants from entering the unit while a grease vent allows added grease to escape. Modular construction provides design flexibility and simple maintainability. Safety elements are precision belleville spring loaded, single ball detent design. A unique over center mechanism ensures complete and bidirectional disengagement on overload and simple, fast manual re-engagement. Three types of safety elements; standard, disconnectable, and externally adjustable are available and are interchangeable on the base unit.

Safety Element Torque Limiters completely disengage on overload thus preventing damage and down time to the equipment. When applied on reducer output shafts in rectangular settling tank drive systems, the "SE" Torque Limiter protects the drive chain, drag chain and flight bars. They can also be applied on screw conveyor drives or other sludge collection systems that have potential for jamming.

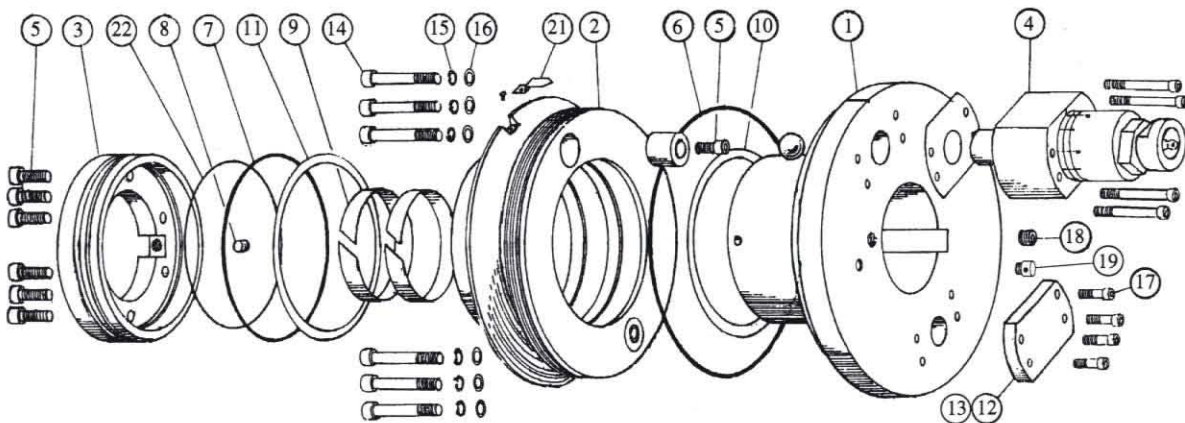


ENGINEERING DATA



Brunel Part No. Series	Safety Element Qty.	Torque Range (lb-in)	Safety Element Style	(Dimensions in Inches)											Min. H78 Sprocket
				A	B	C	D max.	E	F	G	H	J	K	L	
JSE1-0100	1	388 - 7,540	Standard	6.52	6.10	5.66	1.750	3.62	3.64	3.00	.20	1.58	4.50	Qty 6 3/8-16	9 Tooth
	2	776 - 15,080	Disconnect	6.80											
			External Adj.	7.32											
JSE1-0200	1	554 - 11,000	Standard	6.52	7.68	7.25	2.9375	3.62	4.724	3.00	.20	1.58	5.75	Qty 6 1/2-13	11 Tooth
	2	1,108 - 22,000	Disconnect	6.80											
			External Adj.	7.32											
JSE1-0400	1	3,400 - 15,000	Standard	8.10	9.75	7.25	3.75	5.10	6.00	3.00	.20	1.58	6.60	Qty 8 3/8-16	11 Tooth
	2	6,800 - 30,000	Disconnect	8.40											
	3	10,200 - 45,000	External Adj.	8.90											
	4	13,600 - 60,000													

TYPICAL EXPLODED VIEW



Item	Description	Qty.	Item	Description	Qty.	Item	Description	Qty.
1	Module Carrier Hub	1	9	PTFE Bearing	2	17	1/4"-28 x 5/8" S.H.C.S.	4
2	Detent Pocket Plate	1	10	PTFE Bearing Ring	1	18	Grease Fitting	1
3	Retaining Plate	1	11	PTFE Thrust Pad	1	19	Grease Relief Valve (1/8 NPT)	1
4	JSE1-0015 External Adjust SE	1	12	Blanking Plate	1	20	Detent Pocket	1
5	5/16"-24 x 5/8" S.H.C.S.	8	13	Blanking Plate Seal	1	21	Pointer (Alignment)	1
6	"O" Ring Seal	1	14	Stainless Steel S.H.C.S.	6 or 8	22	"O" Ring Seal	1
7	"O" Ring Seal	1	15	Stainless Lock Washer	6 or 8			
8	5/16"-24 x 1/2" socket set screw	2	16	Stainless Flat Washer	6 or 8			

Custom Designs Available, Consult **BRUNEL**