

SAV 709 Stainless Steel Chain

SAV 709 chain was designed as an economical stainless steel chain alternative to non-metallic and cast chain for rectangular clarifier usage. Maintaining the same materials and design as SAV 715, the primary difference between the two chains is the SAV 709 chains ability to run on standard 720 series sprockets. The chain can be used with Fiberglass or Wooden flights. No special modifications to the existing system or tank layout is required.

403 Stainless Steel Materials

Direct Interchange with
720 Non-Metallic Chain

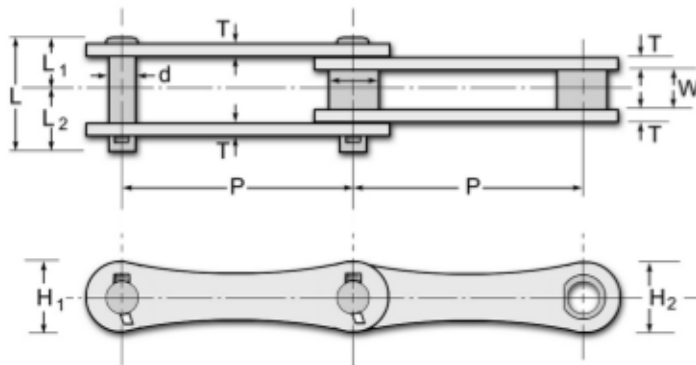
Lightweight (2.2 Lbs)

High Strength (19,000 Lbs)

"J" Cotter Assembly



SAV 709 Chain



SAV 709 Key Features

Average Ultimate Strength of 19,000 lbs. makes the SAV 709 comparable to even high strength composite chains. The 403 Stainless Steel material has over 20 years of proven experience in wastewater treatment applications. Special manufacturing processes provide a chain with unmatched resistance to abrasion and corrosion resulting in extended service life. The light weight offers ease of installation and requires very little maintenance. SAV 709 can be used with non-metallic, steel, or cast iron sprockets.

Dimensions and Strength of SAV 709 Chain

Chain No.	Pitch P (in.)	Average Ultimate Strength (lbs.)	Weight (lbs./ft.)	Barrel		Pin			Side Bars				
				Outside Dia. D	Width W	Dia. d	Length (in.)			Pin Link		Bushed Link	
							L	L ₁	L ₂	H ₁	T	H ₂	T
SAV 709	5.844	19,000	2.2	0.882	1 ¹⁷ / ₆₄	0.453	2 ³⁷ / ₆₄	1 ¹¹ / ₆₄	1 ¹³ / ₃₂	1 ⁷ / ₃₂	3 ³ / ₁₆	1 ²⁹ / ₆₄	3 ³ / ₁₆



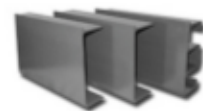
SPROCKETS



NON-METALLIC CHAINS



STAINLESS CHAINS



FIBERGLASS FLIGHTS

SAV 709 Stainless Steel Chain

SAV 709 chain with standard F-226 or F-228 attachment links provides a strong solution for difficult collector operations. Pictured here is SAV 709 with Hitachi Maxco's HMAX Extreme Duty FRP Flights. The tank width is over 36 ft and handles primary sludge. The plant elected to replace mechanical traveling bridge units (visible in background) and discovered that the superior strength and capability of the SAV 709 made it the ideal choice. Typical clarifier design is limited at around 30 ft. width with plastic chain, which would have necessitated the costly prospect of creating two clarifiers out of the original one. SAV 709 and the HMAX flights allowed the plant to retain the original layout saving the plant from a significant expense.



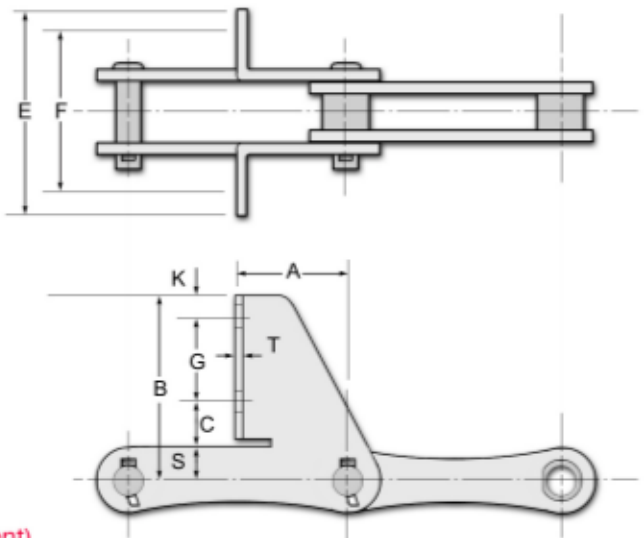
36 ft wide Clarifier - SAV 709 Chain with HMAX Extreme Duty Flights



Closer view - 36 ft wide Clarifier with SAV 709 Chain

- * Strong - Lightweight
- * Versatile in Application
- * Cost Effective Solution

SAV 709 "F" Style Attachment Link



Dimensions of SAV 709 Stainless Steel Chain (F Attachment)

Attachment Part No.	Dimension										Attachment Nominal Weight (lbs./ea.)
	A	B	C	E	F	G	K	S	T	Ø	
F-226/709	2.913	6 1/2	1 41/64	5 1/2	3 3/4	2 5/8	1 15/64	1	3/16	7/16	3.9
F-228/709	2.913	8 17/64	1 41/64	5 1/2	3 3/4	4 1/2	1 1/8	1	3/16	7/16	4.5